

Llumins  
Clinical Grade Microscope  
**XION** Series



*brightness, clarity, beauty*

Llumins  
Clinical Grade Microscope  
**XION** Series



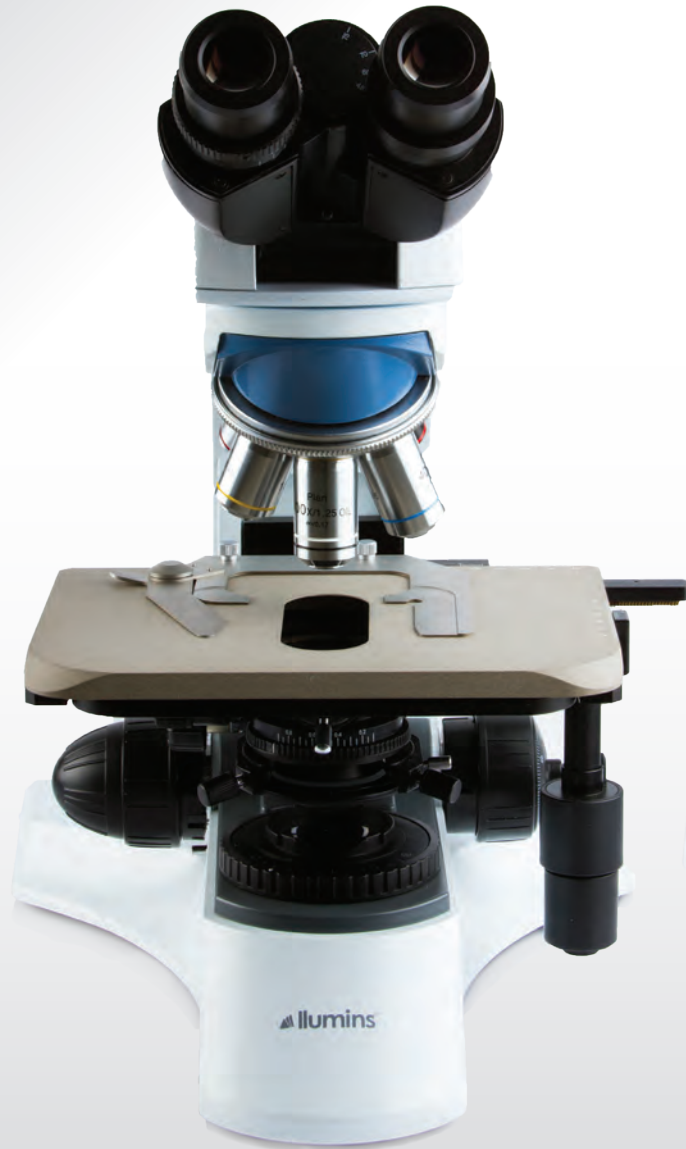
LLUMINS OPTICAL SYSTEMS  
021 100 3052  
info@llumins.co.za  
www.llumins.co.za

LLUMINS OPTICAL SYSTEMS  
have passed these certificates:  
ISO 9001  
ISO 14001  
ISO 13485



# LLUMINS XION CLINICAL MICROSCOPE

The XION Series Microscope is a feature-rich clinical grade microscope which caters for the pathologists' every need. Featuring a high precision ceramic stage, full sextuple nosepiece and a comfortable ergonomic height adjustable head.



Llumins Optical Systems integrates perfect optical performance with next generation technology

### Superior Optical Performance

The high-performance objective lenses provide excellent clarity in any demanding observation environment.

### Intelligent and Smart Design

The ergonomic design, compact size, high-quality materials and versatile digital capability ensure minimal operator fatigue during extended periods of operation.

### Innovative Module Design

The compact size minimises the installation space. Interchangeable individual modules meet the needs of any application and you can select the appropriate optional accessory for your task.

### Contents

XION Overview .....	2
Superb Optical System .....	4
Accessories .....	6
Specifications .....	8

## Our Excellent Optical System and Performance Provides High-Resolution Images

Clear and vivid images can be seen through the finest quality objective lenses and illuminators. A variety of observation methods make it easier for the operator to obtain the required images for a range of applications.



### Customizable Optics System

#### Phase Contrast

Phase contrast observation is accomplished by inserting the phase contrast flashboard into the condenser socket and replacing the objectives with phase contrast objectives. A disc phase contrast condenser is available for using multiple magnifications

#### Polarizing Filters

A set of polarizer filters help you switch to other observation modes quickly and easily. By using the simple polarizing set, crystals, talc, amyloid etc can be observed with ease. Simply insert the polarizer into the condenser and slide the analyzer into the viewing tube socket.

#### Dark Field Condensers

By simply inserting the dark-field spill into the condenser socket and pull the dark-field diaphragm in, simple dark-field observation becomes available. You can observe blood, flagellum, Treponema pallidum in dark-field between 4x – 40x without a special dark-field condenser.

#### Plan Achromatic Objectives

You can choose any six Infinity, Fluor or Phase Contrast objectives, depending on your desired application



With our innovative design, XION provides clear and accurate results

Simple acquisition of 3D images is achievable through Z-axis control. Accurate 3D measurements and analysis are provided by capturing 2D images and combining it with our software analysis.



## High Precision Ceramic Stage

### Ceramic Stage

The high precision ceramic stage with tension adjust allows you to customize the settings according to your needs.

## Viewing Head

### Tilting Trinocular

The height adjustable ergonomic head assures fatigue free viewing during extended observation sessions.

### Eyepiece

Plan eyepieces with 22mm field of view and extra wide focusable field are perfect for search and count. The high eye-point facilitates comfortable observation and the adjustable dioptre tailors eyepieces to the operator's eyes.

## Full HD Video Recording

### XCAM LIVE II

Our XCAM LIVE II video recorder enables you to perform remote diagnostics with live HD video broadcasting.

# XCAM LIVE II

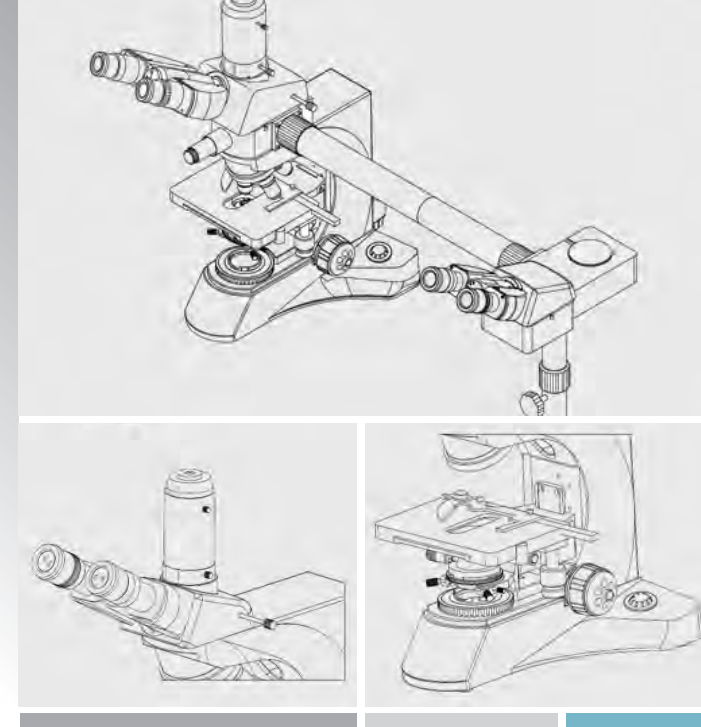
Ilumins ultra chrome 1080p

## Experience Convenient Features, Enhanced Performance and Operator Satisfaction

The adaptable new features ensure that any potential future requirement can be fulfilled with ease. The optimised system and various digital functions enable routine tasks to be carried out efficiently and effectively.

### XION SPECIFICATIONS

Model	XION Series Microscope (pro3)
Optical System	Infinity colour corrected optical system
Eyepiece	PL10x/22T FN22mm with adjustable (focusable) diopter wide 22mm (Pro level extra field of view). Each comes with a roll down eyeguard
Objectives (select)	OIP Infinity PLAN Achromatic Objectives ( 2x, 4x, 10x, 20x, 40x, 50x and 100x oil) Phase Contrast Infinity PLAN Achromatic Objectives: (10x,20x,40x and 100x Oil) Infinity PLAN Fluorite Objectives ( 4x, 10x, 20x, 40x and 100x Oil)
Viewing Heads (select)	Siedentopf ergonomic binocular tilting head 5°-35° (Default option) Siedentopf ergonomic trinocular tilting head 5°-35° (uses separate light splitting adapter for camera)
Nose Pieces	Revolving quintuple nosepiece (holds 5 objectives) Revolving sextuple nosepiece (holds 6 objectives) (Default option)
Stage	High precision ceramic coated stage. Customisable tension and height of control arm. Right hand operation. Size 220x158mm
Condensers	Swing out condenser N.A 0.90/0.25 condenser 2x-100x (flip down 2x and 4x) Phase contrast turret condenser with 5 positions Abbe condenser, N.A 1.1 (4x-100x)
Focus	Coaxial focus coarse and fine system with tension adjustable, coarse: stroke 37.7mm per rotation, Fine Stroke 0.001mm per rotation, Moving range 24mm with upper limit stop control, tightness adjustment
Illuminator Options	Single high brightness 5W LED with continuous intensity control (Default option) Philips 6v/20W halogen bulb with continuous intensity control 100 watt external power supply, lamp house and bulb
Camera Adaptor	C-mount 0.5X C-mount 1X



### XION DIMENSIONS

