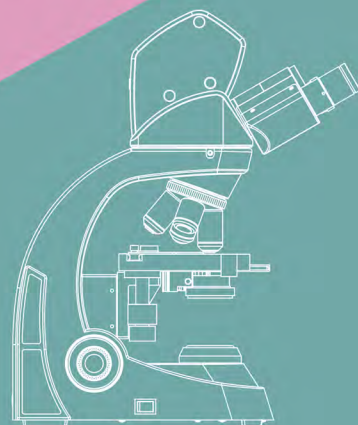
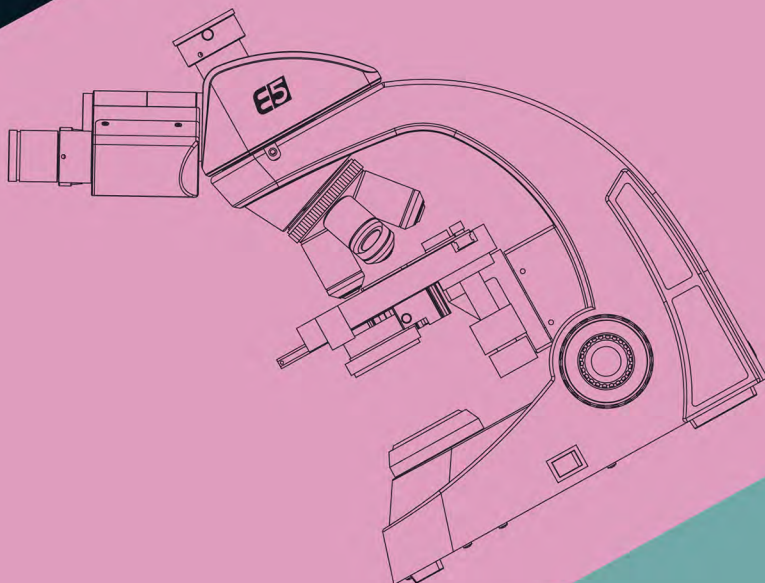
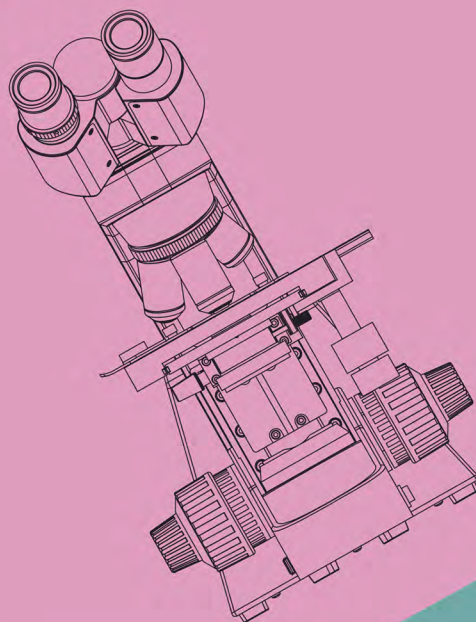
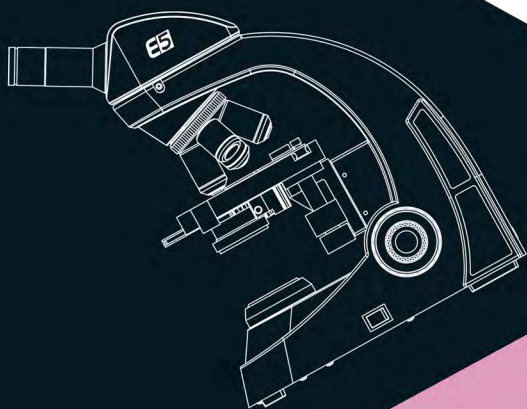


E5 Llumins Instruments Series Biological Microscope





Personal belonging of young scientists

The E5-Series Biological Microscope with its sleek appearance and reliable quality, is both beautiful and practical. Its easy operation and clear image inspire students' imagination and interest in the world of microscopy. The microscope will help explore the mysteries of life science and a new generation of scientists will be born.



Compact, solid with an innovative frame

The high rigid, but small E5 series is specially designed for students. The frame, with a hollow design is lightweight but stable and easy to carry. The pure white body with blue on the both sides is fresh and vivid.

Ergonomics Design

An adjustable dioptre tailors eyepieces to the operator's eyes, and can be adjusted from 50mm to 75mm.

The 140X132mm double layered mechanical stage has rounded corners to prevent damage when accidentally bumped. Combining the co-axial adjustment with 0.1mm precision, it offers you easy operation and precise positioning.

The Abbe condenser is not removable to ensure all factory settings remain unchanged. The iris diaphragm and filter holder allows you to use different backlights to improve image contrast.

Coaxial coarse and fine adjustments on both sides of the frame allows for easy focusing by either hand. The tension of the coarse knob is adjustable, and the precision of the fine knob is 0.002mm. The upper limit design avoids impact between the objective and slide.

LED illumination system, multiple power supplies for option

The E5-Series Biological Microscope uses a high performance, energy efficient and long lasting LED illumination system. It has a separate power switch and light dimmer to adjust the intensity.

- The E5 series features built-in rechargeable batteries that is useful for field experiments and offers up to 8 hours continuous working
- The special illumination system for health detection uses EMC design, and has an external voltage AC adapter, 100V-240V AC50/60Hz input, 7.5V/2A output.
- You can use either the external or internal voltage adapter. Common illumination systems adopt 100V-240V AC50/60Hz wide voltage.



Item	Magnification	N.A.	W.D.(mm)	Cover glass(mm)	Parfocal distance(mm)	Conjugate distance(mm)
Achromatic objective	4X	0.10	21.30	0.17	45	195
	10X	0.25	6.40			
	40XS	0.65	0.48			
	100XS (oil)	1.25	0.15			

Item	Magnification	N.A.	W.D.(mm)	Cover glass(mm)	Parfocal distance(mm)	Conjugate distance(mm)
Plan achromatic objective	4X	0.10	15.10	0.17	45	195
	10X	0.25	1.50			
	20X	0.40	8.70			
	40XS	0.65	0.38			
	100XS (oil)	1.25	0.09			



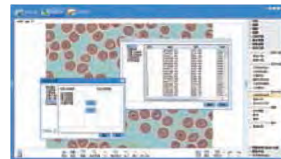
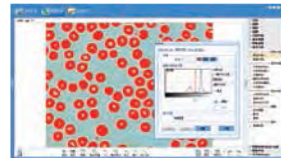
With the E5, trinocular and digital microscopes makes photography, storage, analysis and transmission possible.



Connecting the E5 digital viewing head to the computer through USB cable, its built-in software combined with our Llumins image analysis software, makes image statistics, analysis and processing possible.



By adding an external camera on the trinocular viewing head through C-mount, you can use our PhotoLib software.



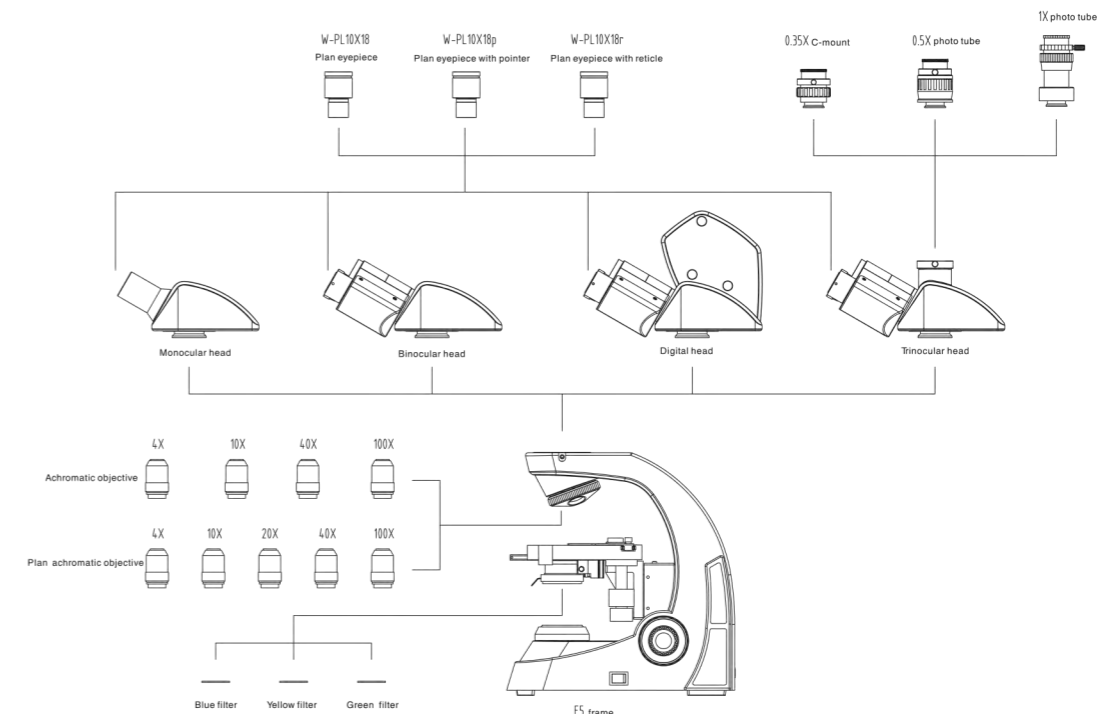
Assembling the D0500VSDH high-definition LCD module on the E5 trinocular viewing head by 0.5X C-mount, photos and videos can be stored directly onto a 4G SD card.

A wide range of HDMI devices can be connected directly to the LCD module, such as HD display, HD projector and other common monitors and computers.

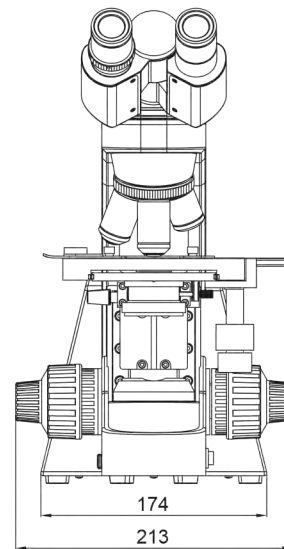
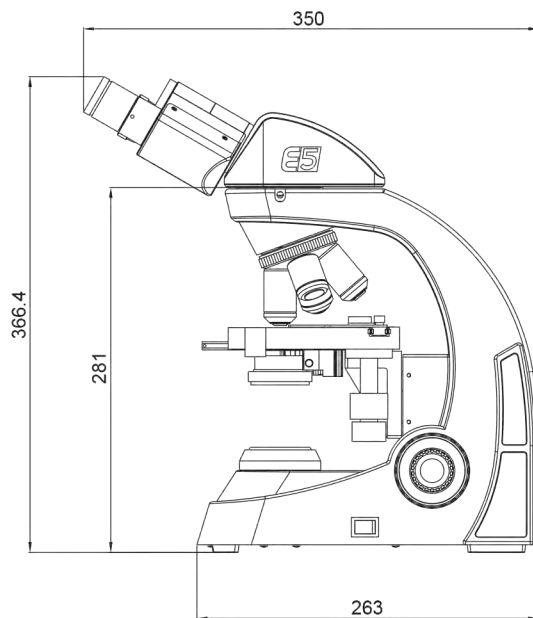
E5 Specifications

Optical system	Finite color corrected optical system
Viewing head	30° inclined monocular head
	30° inclined binocular head, interpupillary distance: 50–75mm, ± 5 diopter adjustable
	30° inclined trinocular head, splitting ratio R:T=80:20, interpupillary distance: 50–75mm, ± 5 diopter adjustable
	30° inclined digital viewing head, built-in 3.0 mega pixels CMOS, USB output; interpupillary distance: 50–75mm, ± 5 diopter adjustable
Eyeiece	Wide field plan eyepiece PL10X/18mm with/without reticle; PL10X/18mm with/without pointer
Objective	Achromatic objective (4X, 10X, 40XS, 100XS)
	Plan achromatic objective (4X, 10X, 20X, 40XS, 100XS)
Nosepiece	Quadruple nosepiece
Frame	Coaxial coarse and fine adjustment, with coarse adjustment stop and tightness adjustment, range: 25mm, precision: 0.002mm. 3W LED, center presetting, intensity adjustable, external wide voltage AC adapter, 100V–240V_AC50/60Hz input, DC7.5V 2A output.
	Coaxial coarse and fine adjustment, with coarse adjustment stop and tightness adjustment, range: 25mm, precision: 0.002mm. 3W LED, center presetting, intensity adjustable, external wide voltage AC adapter, 100V–240V_AC50/60Hz input, DC6V 2A output.
	Coaxial coarse and fine adjustment, with coarse adjustment stop and tightness adjustment, range: 25mm, precision: 0.002mm. 3W LED, center presetting, intensity adjustable, internal switch 100V–240V_AC50/60Hz.
	Coaxial coarse and fine adjustment, with coarse adjustment stop and tightness adjustment, range: 25mm, precision: 0.002mm. 3W LED, center presetting, intensity adjustable, internal 4 pieces rechargeable batteries, external wide voltage battery charger, 100V–240V_AC50/60Hz input, DC6V 1A output.
Stage	132mmX140mm double layers mechanical stage, moving range: 50mmX76mm, precision: 0.1mm.
Condenser	N.A.1.25 Abbe condenser with iris diaphragm
Others	Filters for transmitted light: blue/yellow/green
	Camera accessories: 0.35X/0.5X/1X focusing C-mount

E5 System diagram: mm



E5 Dimension: mm



Design and production adheres to ISO14001 international quality standard



Design and production adheres to ISO9001 international quality standard



Design and production adheres to ISO13458 international quality standard



 LLUMINS OPTICAL SYSTEMS

www.llumins.co.za

info@llumins.co.za

Tel: 021 100 3052